

Quick Release Mounting Hardware

- ◆ Removable Mounting
- ◆ Adjustable Positioning

Mounting

Mounts to multiple diameter tubing. No Spacers Required
Two point mounting with four point stability

Positioning

Angle - 20 degrees of adjustment without the loss of seat depth
Depth - range of adjustment is 1 1/4" / 31.75mm
Width - approx. 1" / 2.5cm

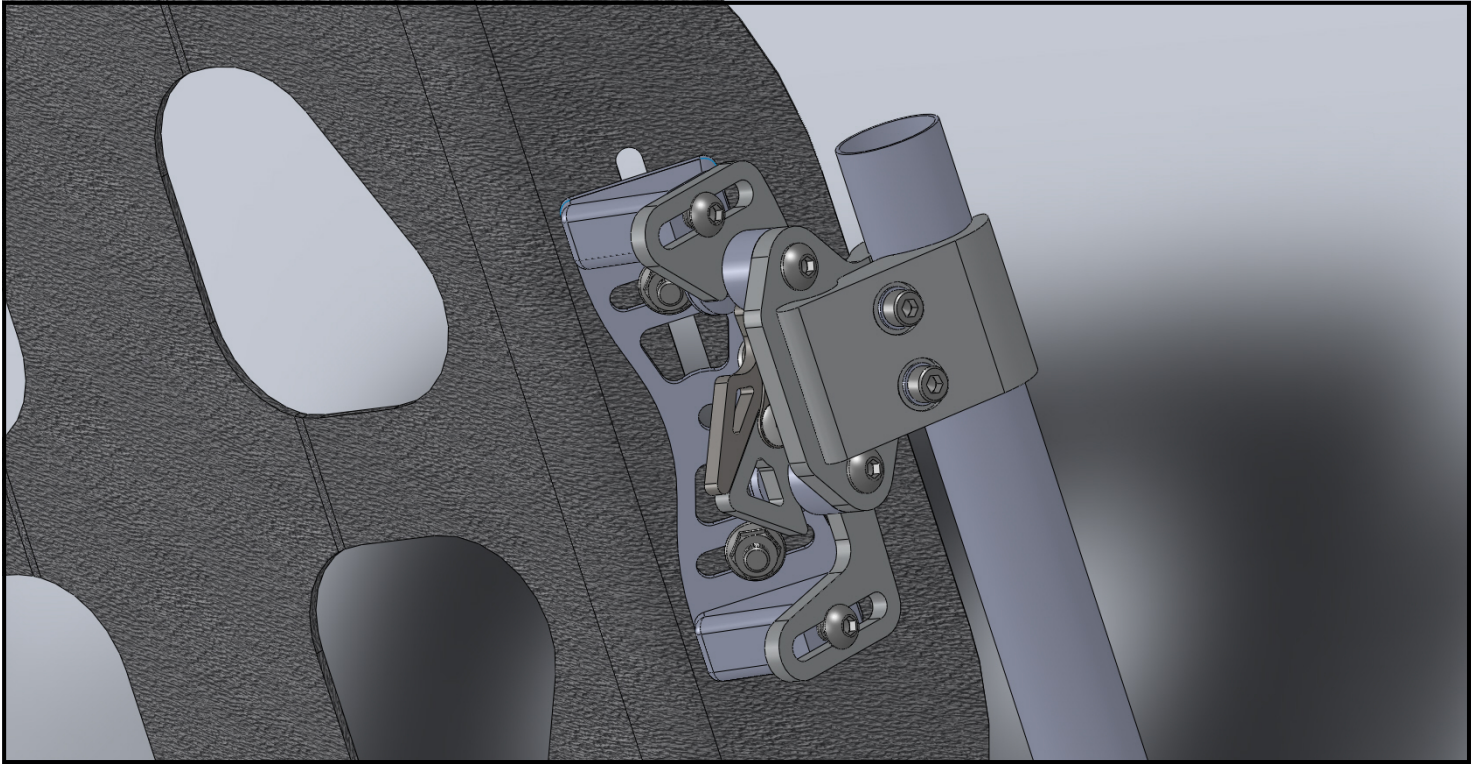
Fits

Aluminum and Carbon backs
Active and deep contours
10" through 23" widths
All heights

*Clean, light,
one hand
operation!!!*



Quick Release Mounting Hardware



CAD image of QR attached to 1" / 25mm back post



Step: #1

One handed operation, flip up release levers and remove back!



Step: #2

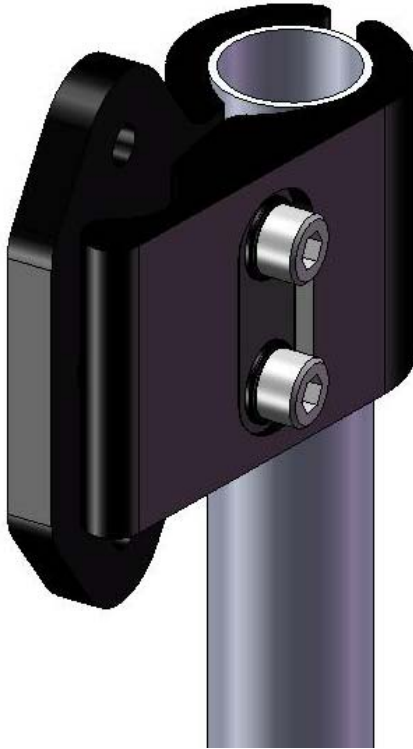
Seating Systems

2-Point Mounting w/ 4 Point Stability

Clamps To Multiple Size Tubing
.750" through 1" round tubing, No Spacers Required!



1" / 25.4mm
round tubing



.750" / 19.05mm
round tubing



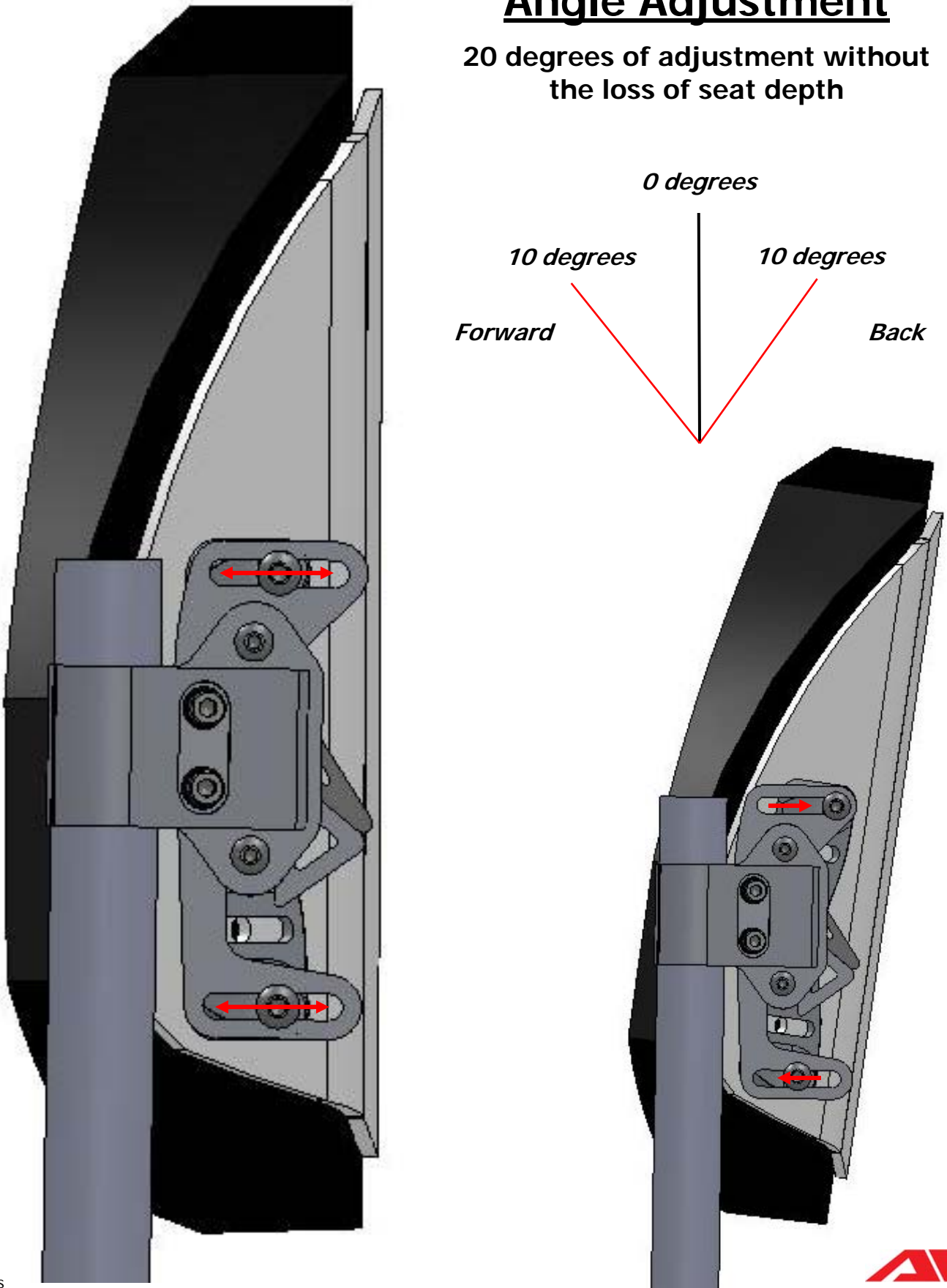
.600" / 15.24mm
oval tubing



Note:
all measurements
are approximate

Angle Adjustment

20 degrees of adjustment without the loss of seat depth



Note:
all measurements
are approximate

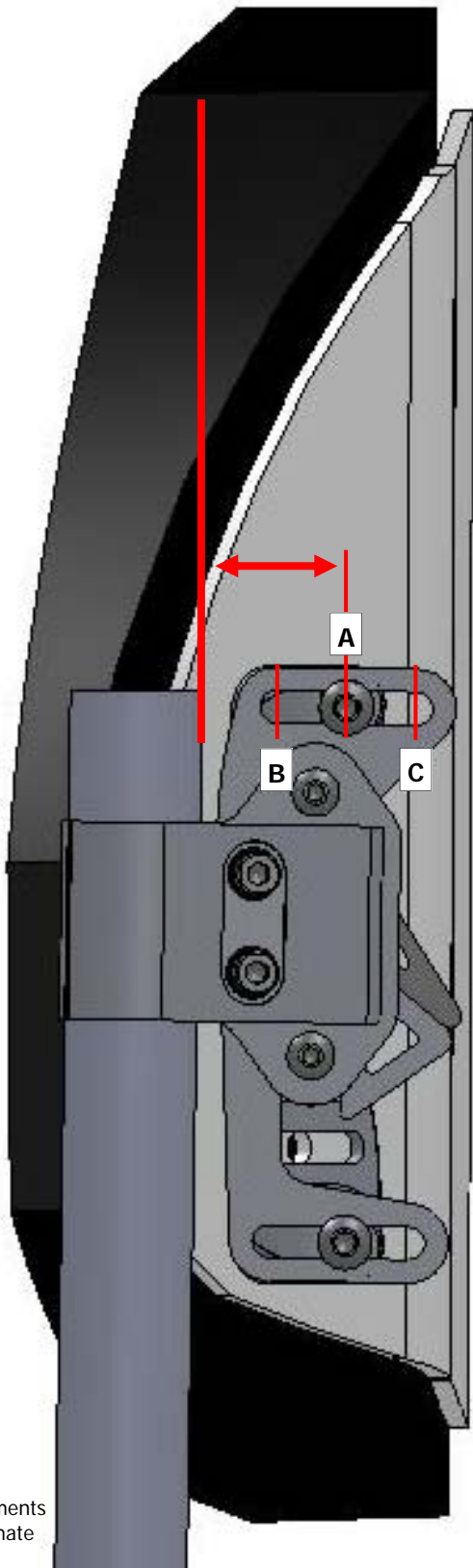


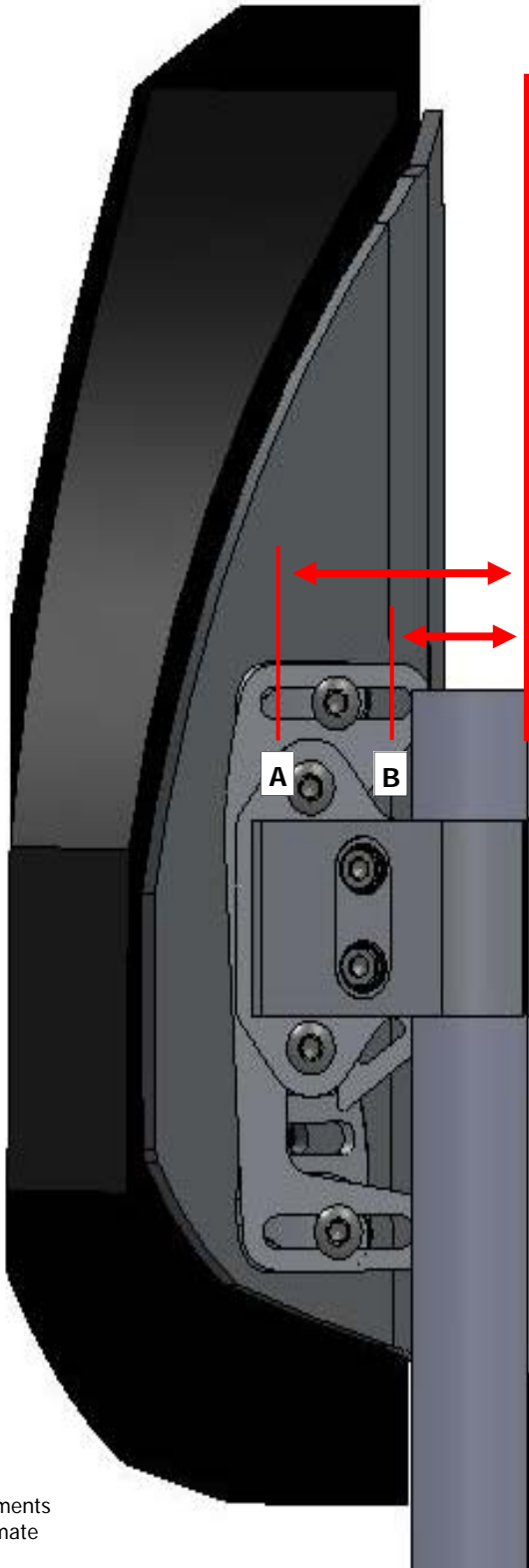
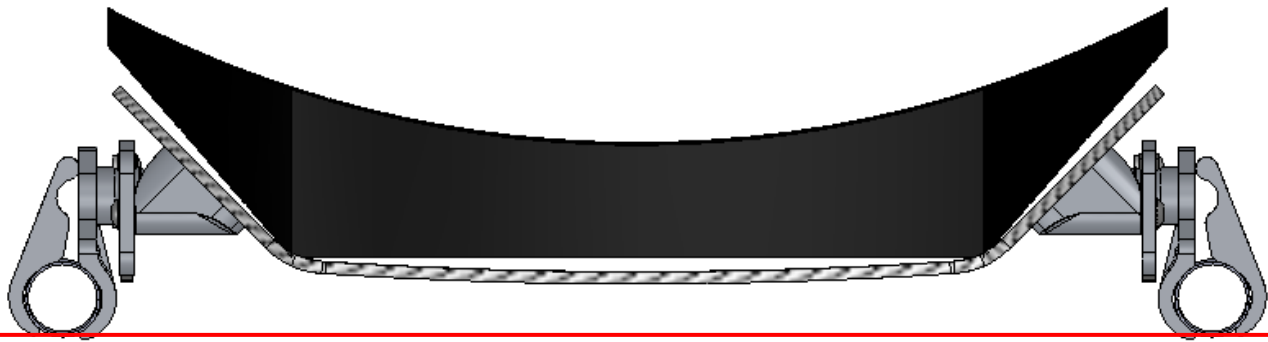
Depth Adjustment

hardware mounted in traditional position, behind back post

- A. Center
positions back cushion valley
behind back post
- B. Forward / Min Depth
positions back cushion
Forward 5/8" / 15.8mm
- C. Aft / Max Depth
positions back cushion
Rearward 5/8" / 15.8mm

NOTE: range of adjustment is
1 1/4" / 31.75mm



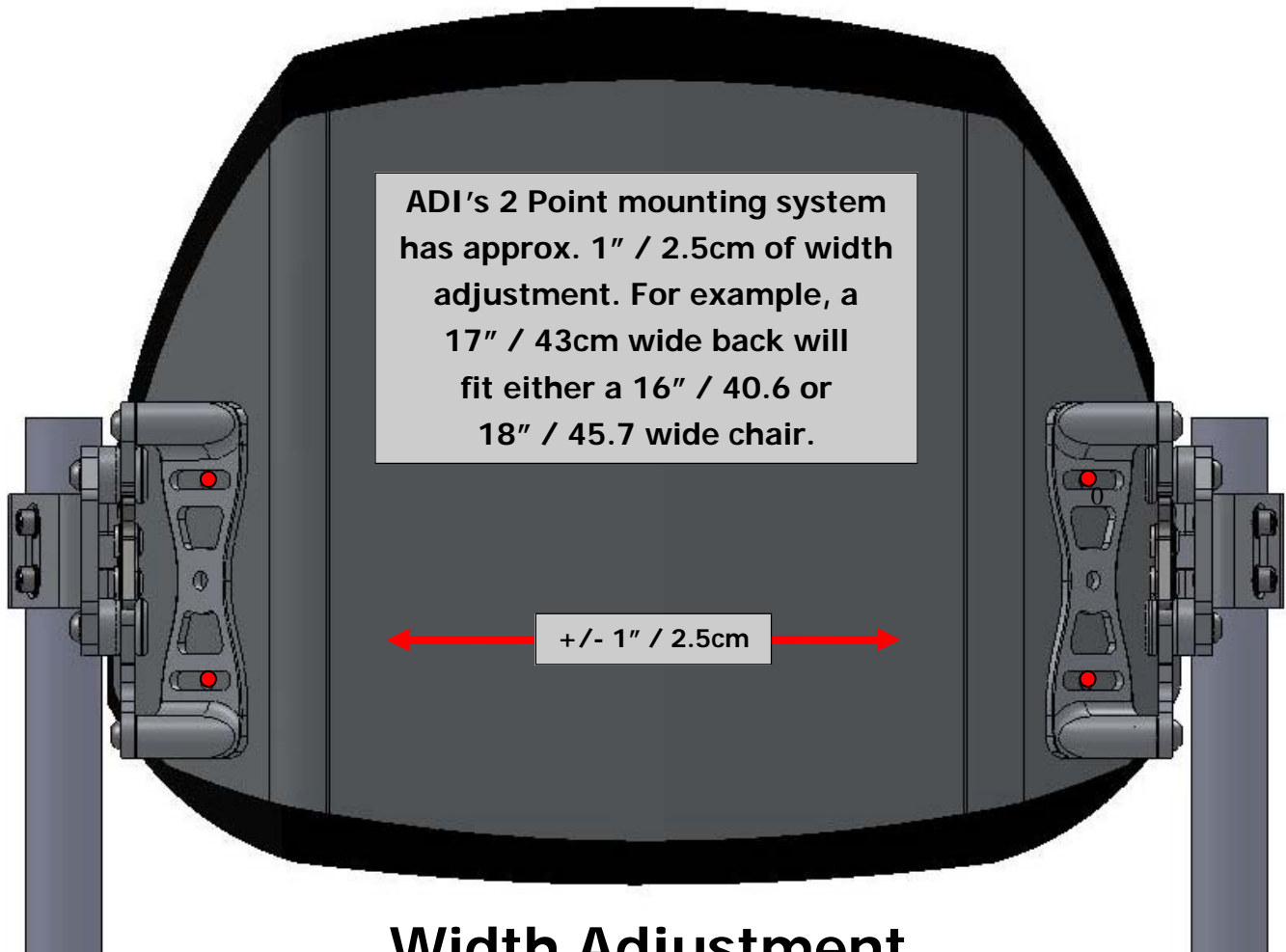


Depth Adjustment

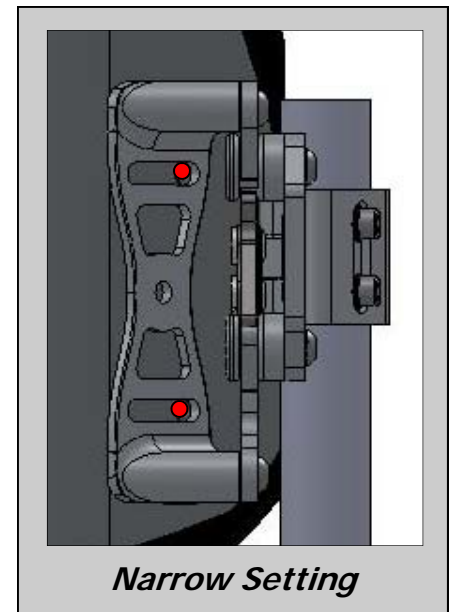
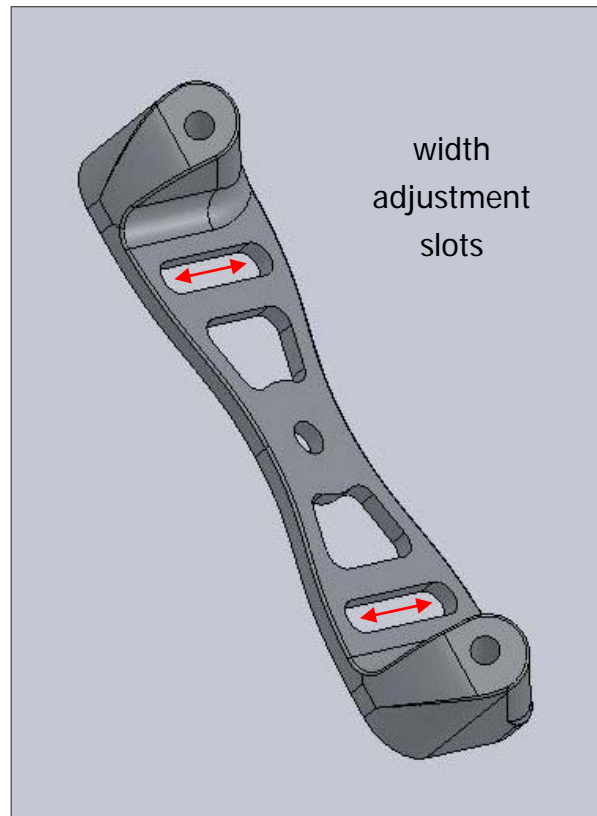
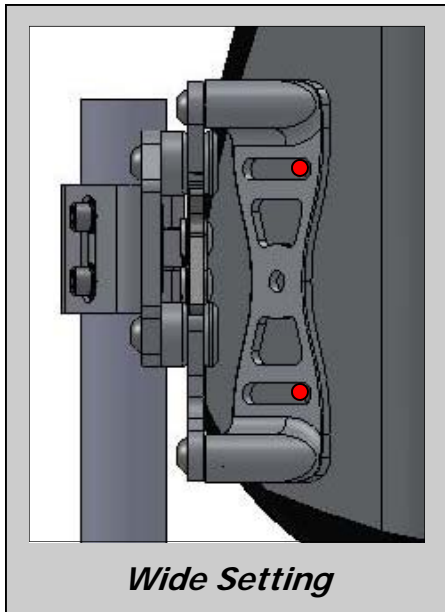
*hardware mounted forward
of backpost*

- A. Max Forward
positions back cushion
forward 2 1/4" / 57mm
of rear backpost
- B. Forward Aft
positions back cushion
forward 1" / 25mm
of rear backpost

Note:
all measurements
are approximate



Width Adjustment



Note:
all measurements
are approximate